

Snow retention tube for snow retention system

Versions snow retention tube:

Aluminium	AlMgSi, Size: 32/2 mm, 3 meters/tube	Article-No.: LA – 1201
Copper	Full copper, Size: 33/2 mm, 2.5 meter/tube	Article-No.: LA – 1202
Stainless Steel	V2A, CrNi-Stahl, material 1.4301 (AISI 304), Size: 33.7/2 mm, 3 meters/tube	Article-No.: LA – 1203

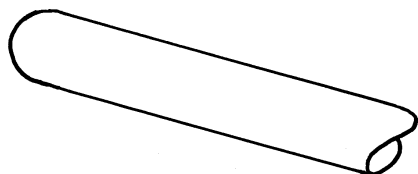
Version tube connector:

PC-ABS Plastik	Tube Connector, UV and cold resistant 27 x 100 mm, black	Article-No.: LA-1206
----------------	---	----------------------

Version end plug:

PVC	End plug for snow retention tube with inside diameter of 28 - 30 mm in grey	Article-No.: LA-1205
-----	--	----------------------

Illustration:



Description:

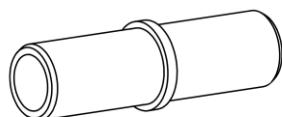
Tube for snow retention system.

Mount with bracket for standing seam roofing.
or bracket for trapezoidal and shoulder sheet metal roof.
Designation according to the expert regulations of the
German plumbing crafts.

Contents each tube:

1 pc. Tube, length 3 m or 2,5 m

Packing unit: no



Tube connector for snow retention tubes
in UV and cold resistant PC-ABS Plastik
27 x 100 mm, black

Packing unit: 50 pcs.



PVC End plug

for snow retention tube with inside diameter
of 28 - 30 mm in grey

Packing unit: no

Snow retention tube for snow retention system

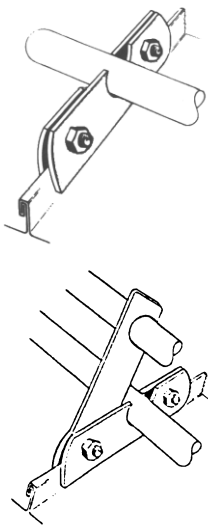
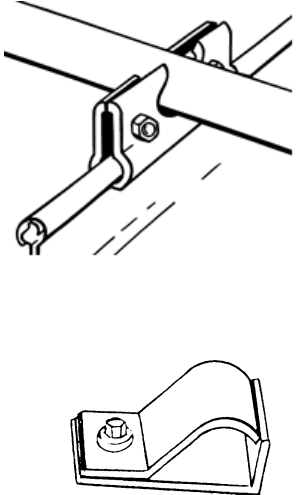
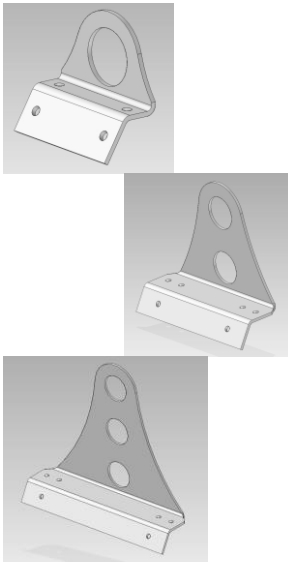
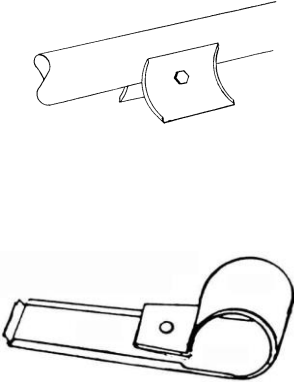
Notes for executions:

Determining are the local and prevailing climatic conditions, zones of snow-load by DIN 1055-5 (German standard), as well as the roof pitch, its designation and the dimensions of the roof-sheets. These guidelines are necessary for mounting, calculation, arrangements of holders and fixation of the snow retention system. Additionally you have to consider all governmental guidelines, if available.

If you mount a snow retention system, you have to consider the increased load on the roofing-construction and on the trapezoidal applications.

Please contact us if you have any further questions or if you need any assistance.

Additional equipment for snow retention system:

<p>Snow retention bracket for single-tube (for additional single-tube snow retention rows (above the double-tube) Double-tube bracket, for double-tube snow retention (in conjunction with an additional single-tube snow retention row)</p>	<p>Snow retention brackets for "roundhead" profil. Snow retention bracket for trapezoidal and shoulder sheet metal roof</p>	<p>One-, double- and triple-tube retention system for trapezoidal-, shoulder sheet and sandwich metal roof.</p>	<p>Snow stop for standing seam roof Snow stop for trapezoidal- and shoulder sheet roof To mount between tube and roof</p>
			

Please note our large product range around metal roofs: snow retention systems, step brackets, solar holders and our program about clips. Further informations you will find on our homepage.