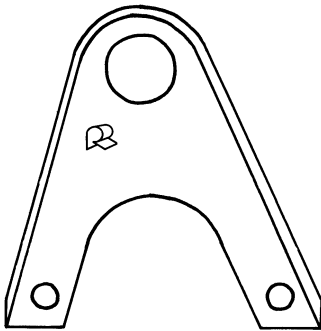


## Heightening element for snow retention system

### Versions:

Aluminium	AlMgSi, thickness 2 mm,	Article-No.: LA – 1160
Copper	Full copper, thickness 2 mm,	Article-No.: LA – 1163
Stainless steel	V2A, CrNi-Stahl, Material 1.4301 (AISI 304), thickness 1.5 mm	Article-No.: LA – 1165

### Illustration:



### Description:

#### Heightening element for double-tube system.

For mounting on snow retention bracket for standing seam roofing. Designation according to the expert regulations of the German plumbing crafts.

### Contents each:

1 pc                      Heightening element

**Packing unit:**                      20 pcs

### Mounting:

<p>Heightening elements are supposed to be mounted sideways on the brackets of a new or already existing single tube snow retention system</p>	<p>Fixation of the heightening elements will be achieved with the screws, delivered with the brackets</p>	<p>The second tube will be placed subsequently through the upper hole. The upper tube will be fixed through a slightly transposed configuration of the brackets.</p>
<p>According as, the double-tube retention must be disposed, the heightening element is to mounted left or right from the snow retention bracket.</p>		

### Important notice:

**If you mount a double-tube system, it is indispensable that you install additional rows above the double-tube system.**

## Heightening element for snow retention system

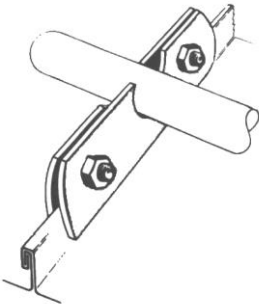
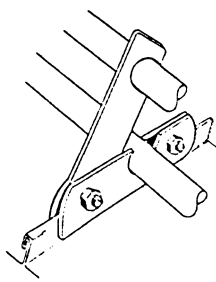
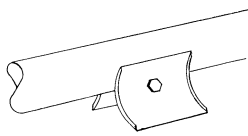
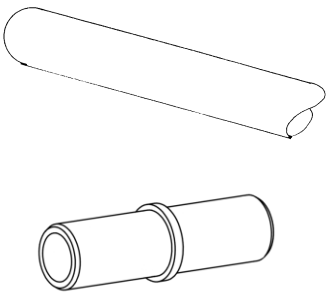
### Notes for execution:

Determining are the local and prevailing climatic conditions, zones of snow-load by DIN 1055-5 (german standard), as well as the roof pitch, its designation and the dimensions of the roof-sheets. These guidelines are necessary for mounting, calculation, arrangements of holders and fixation of the snow retention system. Additionally you have to consider all governmental orders, if available.

If you mount a snow retention system, you have to consider the increased load on the roofing-construction and on the trapezoidal applications.

Please contact us if you have any further questions or if you need any assistance.

### Additional equipment for snow-retention bracket / snow retention system:

Snow retention bracket for single-tube (also available for angled-seam roofing).	Double-tube snow retention bracket (in conjunction with an additional single-tube snow retention row)	Mount snow stop between tube and roofing	Tube with a wall thickness of at least 2 mm Tube connector
			

Please note our large product range around metal roofs: snow retention systems, step brackets, solar holders and our program about clips. Further informations you will find on our homepage.