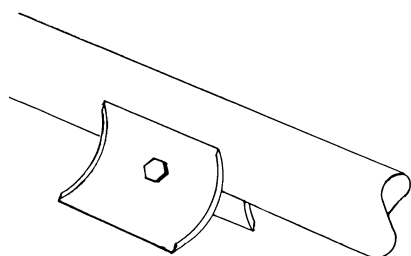


Snow stop for standing seam roofing

Versions:

Aluminium	AlMgSi, thickness 1.2 mm with stainless steel screws and nuts	Article-No.: LA – 1150
Copper	Full copper, thickness 1.2 mm, with stainless steel screws and nuts, A2	Article-No.: LA – 1151
Stainless Steel	V2A, CrNi-Stahl, Material 1.4301 (AISI 304), thickness 1.0 mm, with stainless steel screws and nuts, A2	Article-No.: LA – 1152

Illustration:



Description:

Snow stop to mount on standing seam roofing.

The two-piece snow stop will be mounted between roof-sheet and tube.

Designation according to the expert regulations of the German plumping crafts.

Contents each:

2 pcs.	"half-shell" pieces width ca. 90 mm
1 pc.	Screw, A2 – Size: 6 x 50
1 pc.	Nut, A2 – Size: M 6

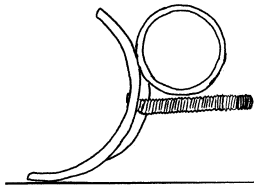
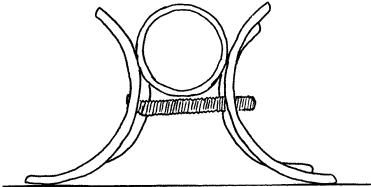
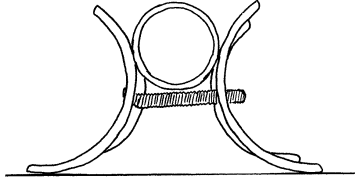
Packing unit: 50 pcs.

Mounting:

Mount snow stop mainly on the first line of your snow retention system, at the eaves.

You should use 1 to 2 pcs to avoid, that small layers of snow and ice slide down the roof.

If you have installed additional rows of snow retention, sometimes snow stop are installed there too, to minimize wind- and general noises coming of the roof sheet.

Place both parts of the snow stop on the sides of the tube, so that the round side shows to the inside in direction of the tube.	Snow stop will be fixed with the screw. Tighten the screw which is placed under the tube.	Tighten the screw until the snow stop is completely fixed between the tube and the roofing.
		

Snow stop for standing seam roofing

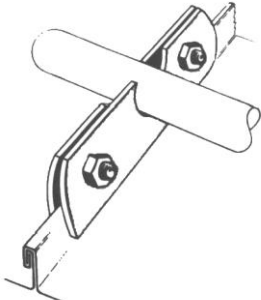

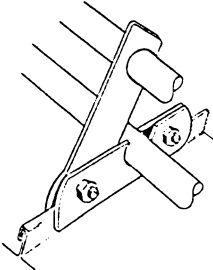
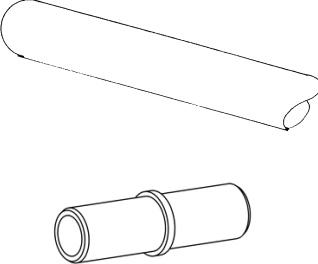
Notes for executions:

Determining are the local and usual climatic conditions, zones of snow-load by DIN 1055-5 (German standard), as well as the roof pitch, its designation and the dimensions of the roof-sheets. These guidelines are necessary for mounting, calculation, arrangements of holders and fixation of the snow retention system. Additionally you have to consider all governmental orders, if available.

If you mount a snow retention system, you have to consider the increased load on the roofing-construction and on the trapezoidal applications.

Please contact us if you have any further questions or if you need any assistance.

Additional equipment for snow retention bracket:

Snow retention bracket for single-tube (also available for angled-seam roofings).	Heightening element for double-tube system (in conjunction with an additional single-tube snow retention row)	Double-tube snow retention bracket (in conjunction with an additional single-tube snow retention row)	Tube with a wall Thickness of at least 2 mm Tube connector
			

Please note our large product range around metal roofs: snow retention systems, step brackets, solar holders and our program about clips. Further informations you will find on our homepage.