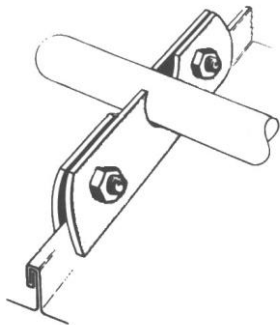


Snow retention bracket for standing seam roofing

Versions:

Aluminium:	AlMgSi, thickness 6 mm, with zinc-coated screws and nuts	Article-No.: LA – 1110
Aluminium:	AlMgSi, thickness 6 mm, with stainless steel screws and nuts, A2	Article-No.: LA – 1120
Stainless steel:	V2A (CrNi), material-No. 1.4301 (AISI 304), thickness 4 mm, with stainless steel screws and nuts, A2	Article-No.: LA – 1125
Copper:	Full copper, E-CU 57, thickness 5 mm, with stainless steel screws and nuts, A2	Article-No.: LA – 1135

Illustration:



Description:

Snow retention bracket for standing seam roofing.
Suitable for tubes with an outer diameter of max. 33 mm.
Designation according to the expert regulations of the German plumbing crafts.

Contents each bracket:

- 2 pcs. Brackets with oblong hole for tube and cranking to equalise the folding of the standing seam.
- 2 pcs. Screws, A2 – Size: 12 x 30
- 2 pcs. Nuts, A2 – Size: M 12
or zinc-coated screws and nuts

Packing unit: 10 pairs (1 pair = 1 pcs.)

Mounting:

<p>Place one pair of brackets on the right and left side of the verges. Span a string in order to get a straight line. Induct tube and fix it on each side by the above mentioned pairs of brackets. Place tube connector and set the next tube.</p>	<p>Place brackets horizontal under the tube. Cranking has to show to the inside. Fold both bracket parts up at the same time. Set the screw. Start mounting at the middle of tube. Tighten screw by hand and adjust it with the help of the string (to get a straight line).</p>	<p>Mount all brackets and fix them with a ratchet or screwdriver. Recommended torque: At least 50 Nm!</p>

Snow retention bracket for standing seam roofing

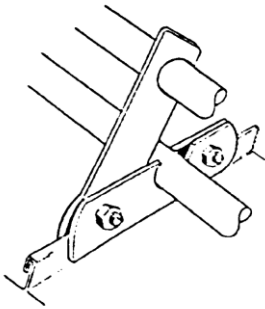
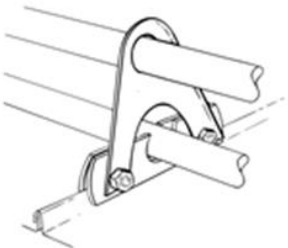
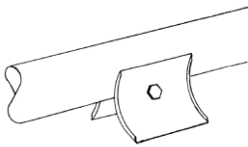
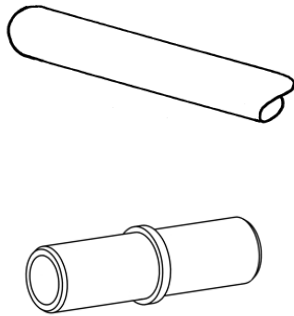
Notes for execution:

Determining are the local and prevailing climatic conditions, zones of snow-load by DIN 1055-5 (German standard), as well as the roof pitch, its designation and the dimensions of the roof-sheets. These guidelines are necessary for mounting, calculation, arrangements of holders and fixation of the snow retention system. Additionally you have to consider all governmental guidelines, if available.

If you mount a snow retention system, you have to consider the increased load on the roofing-construction and on the trapezoidal applications.

Please contact us if you have any further questions or if you need any assistance.

Additional equipment for snow retention bracket / snow retention system:

Double-tube bracket, for double-tube snow retention (in conjunction with an additional single-tube snow retention row)	Heightening element, for double-tube snow retention (in conjunction with an additional single-tube snow retention row)	Mount snow stop between tube and roofing	Tube with a wall thickness of at least 2 mm Tube connector
			

Please note our large product range around metal roofs: snow retention systems, step brackets, solar holders and our program about clips. Further informations you will find on our homepage.